

Bossmanfilter

Ultimate in Filtration & Purification Technology



Duplex Basket Strainer / Filter



B3000-S Single Change Over Duplex Basket Strainer



B3000-S Single Change Over Duplex Basket Strainer - SS

Duplex Basket Strainer / Filter

Standard Features

- The Bossmanfilter B3000 Series Duplex Basket Strainer / Filter is available in sizes 1" through 24" for system pressures up to 600 PSIG. The basket covers are quickopening or ANSI flanged.
- Strainer is manufactured in accordance with ASME Code, Section VIII, Division I for Unfired Pressure Vessels.
- Materials available: carbon steel, 304, SS, 316 SS, and Interior coatings are available.
- Different nozzle positions available to meet customer requirements.
- Different nozzle connections available: raised face, ring joint flanges, flat-face, weld neck

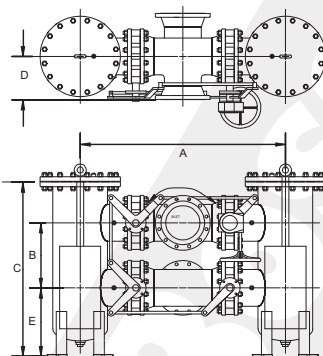
SCREENS: 1/8" perforated type 304 stainless steel on sizes 2" to 24". Other perforations, meshes and materials are available upon request

CONSTRUCTION: Standard units are fabricated with slip-on flanges in standard pressure classes up to 2500 lb. Other flange styles and welded connections are available per your specifications

CODES: Fabricated to ASME B31.1, ASME B31.3 and/or ASME Section VIII, Div. 1. Latest Revision

OPTIONS

- Available in sizes 4" through 48". Larger sizes available. Consult factory
- Dimensions can be modified to suit customer requirements
- End connections available in RF flanges, RTJ flanges or butt weld
- Various body and screen materials and coatings are available.
- Special screen open area ratios
- Quick-opening cover
- Cover lifting davits
- Special nozzle positions
- Reduced inlets and outlets
- Self-Flushing assembly
- Vent and pressure differential connections
- Special floor stands and mounting hardware



B2000 Series- Offset Single Basket Strainer

Model	Line Size	A	B	C	D	Drain BSP	E	F	Weight LBS
DFS50	2	26	9	25	5	3/4	10	5	225
DFS75	3	30	10	32	6	3/4	13	5	365
DFS100	4	38	12	34	7	1	14	5	660
DFS125	5	42	13	36	8	1	14	5	825
DFS150	6	46	14	39	9	1	15	5	960
DFS200	8	54	16	44	11	1-1/2	17	5	1275
DFS250	10	60	19	51	12	1-1/2	20	5	2050
DFS300	12	67	23	60	14	1-1/2	24	5	2700
DFS350	14	74	24	62	16	2	24	5	3400
DFS400	16	80	27	69	17	2	27	5	5150
DFS450	18	85	28	72	19	2	27	5	5800
DFS500	20	95	31	76	20	2	28	5	7450
DFS600	24	104	35	93	23	2	30	5	9680

Ordering Example : B3000 - Closer Style - Pressure - Dsgn Std - Mesh Size - Seals Type - Accessories
B3000 - LS - 04 - A - 80 - 001 - G0

Closure Style	Working Pressure	Dsgn Std	Mesh Size	Elastomer Seals	Miscellaneous Options
LS - Blind Flange	01 - PN 10 or 150 PSI	A - ASME	10 - 10 Mesh	001 - Buna - N	G0 - Not Required
SW - Blind Flange with	02 - PN 16 or 232 PSI	B - DIN STD	20 - 20 Mesh	002 - Silicon	G1 - Differential Pressure
Swing Arm Assist	03 - PN 25 or 362 PSI	C - EN STD	40 - 40 Mesh	003 - Viton	G2 - Other Gauge
	04 - PN 40 or 580 PSI		80 - 80 Mesh	004 - Others	

Bossmanfilter reserves the right to modify, in any moment technical details without notice. Accessories shown in the pictures are not a part of the equipments

Bossmanfilter

Ultimate in Filtration & Purification Technology



For further details, Please contact

Bossman Instruments Technology

An ISO 9001:2008 Certified Company

No. 401/2, G/8 (A), Swastik Manandi Arcade, Ground Floor, S.C. Road, Bangalore - 560 020. INDIA .
 Ph : 91-80-2346 3313, Telefax : 91-80-2346 3313

Web site : www.bossmaninternational.com , www.bossmanfilter.com ,

E-mail : bossmanfilter@bossmaninternational.com, info@bossmanfilter.com